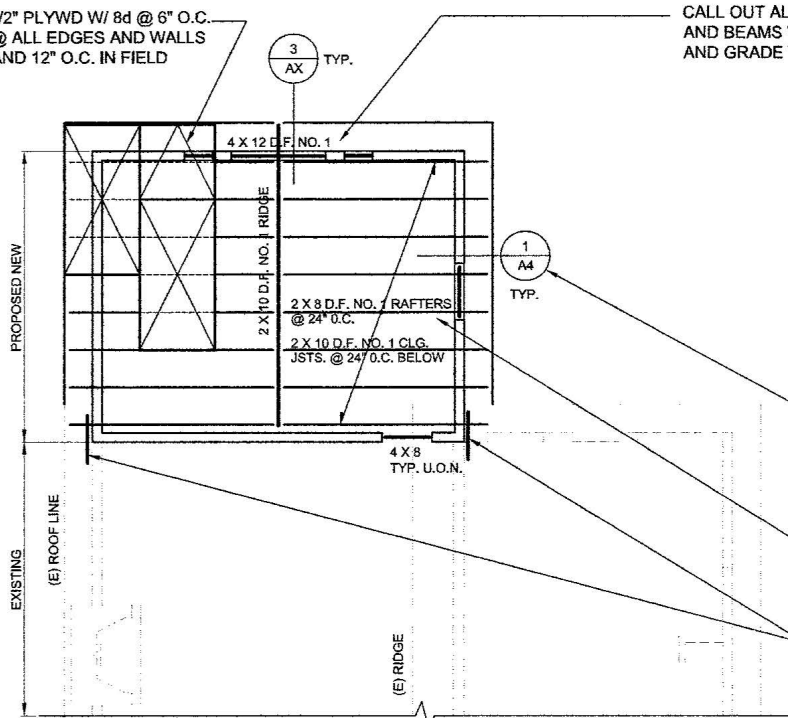


A8 - Sample Framing Plans

CRC 2016

1/2" PLYWD W/ 8d @ 6" O.C.
@ ALL EDGES AND WALLS
AND 12" O.C. IN FIELD

CALL OUT ALL HEADERS
AND BEAMS WITH SIZE
AND GRADE TYP.



THIS DRAWING DEPICTS MINIMUM CODE REQUIREMENTS PER CRC INFORMATION IS FOR REFERENCE ONLY AND IS NOT A SUBSTITUTE FOR ACCURATE DRAWINGS PREPARED FOR EACH PROPOSED CONSTRUCTION PROJECT.

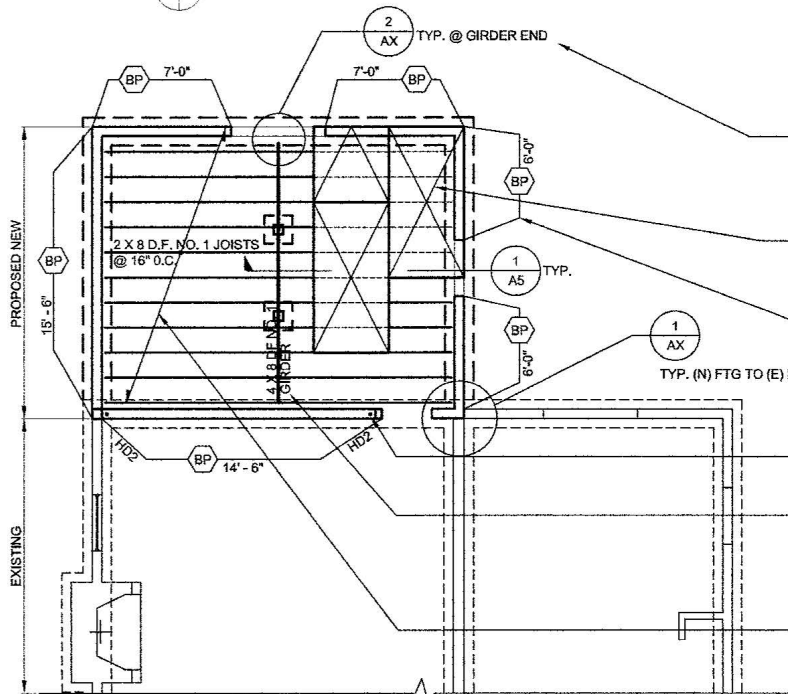
KEY SECTION CUTS AND DETAILS REFERENCES AT ALL TYPICAL CONDITIONS AND CONNECTIONS

CALL OUT ALL RAFTERS AND CEILING JOISTS WITH SIZE, GRADE AND SPACING.

PROVIDE TENSION STRAPS FROM (N) TOP PL TO (E) TOP PL TYPICAL AT ADDITIONS

PROVIDE DOCUMENTED JUSTIFICATION FOR FRAMING MEMBER SIZES AND GRADES BY INCLUDING TABLES SUCH AS SHOWN ON SHEET A9 OR BY MANUFACTURER'S DOCUMENTS OR ENGINEERING CALCULATIONS.

ROOF FRAMING PLAN



KEY SECTION CUTS AND DETAILS REFERENCES AT ALL TYPICAL CONDITIONS AND CONNECTIONS

SHOW SHEATHING PATTERN AND CALL OUT WITH NOTE SUCH AS: 3/4" OR 5/8" PLYWD. W/ 10d @ 6" O.C. AT ALL EDGES AND 12" O.C. IN FIELD

IF BRACED PANELS ARE PROPOSED, CALL OUT EACH BP WITH A CLEAR MARK AND PROPOSED LENGTH. THEN PROVIDE NOTES AND DETAILS TO DEFINE CONSTRUCTION SUCH AS: 1/2" PLYWD W/ 10d @ 6" O.C. AT EDGES AND 12" @ FIELD. BLOCK ALL EDGES.

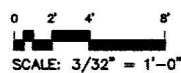
IF HOLDDOWNS ARE USED, CLEARLY SHOW LOCATION AND SIZE OF HOLDDOWNS

CALL OUT ALL HEADERS AND BEAMS WITH SIZE AND GRADE TYP.

CALL OUT ALL FLOOR JOISTS WITH SIZE, GRADE AND SPACING.

PROVIDE TITLE, NORTH ARROW, KEY DIMENSIONS AND NOTES ETC. TO COORDINATE THE FRAMING PLANS TO OTHER SHEETS

FOUNDATION & FLOOR FRAMING PLAN



Provide consistent Title Block on all sheets. Leave margin on all sides.

This scale is for example only. Use 1/8" or 1/4" = 1'-0". Typical min. sheet size is 11" x 17"

NAME, ADDRESS AND PHONE NO. OF DESIGNER
XXX XXX XXX XXX
XXX XXX XXX XXX

EXAMPLE RESIDENCE

FRAMING PLANS

SCALE: 3/32" = 1'-0"
DATE:

WET SIGNATURE OF DESIGNER ON EACH SHEET
(AND PROFESSIONAL STAMP IF APPLICABLE)

SAMPLE DRAWING

SHEET NO.

A8